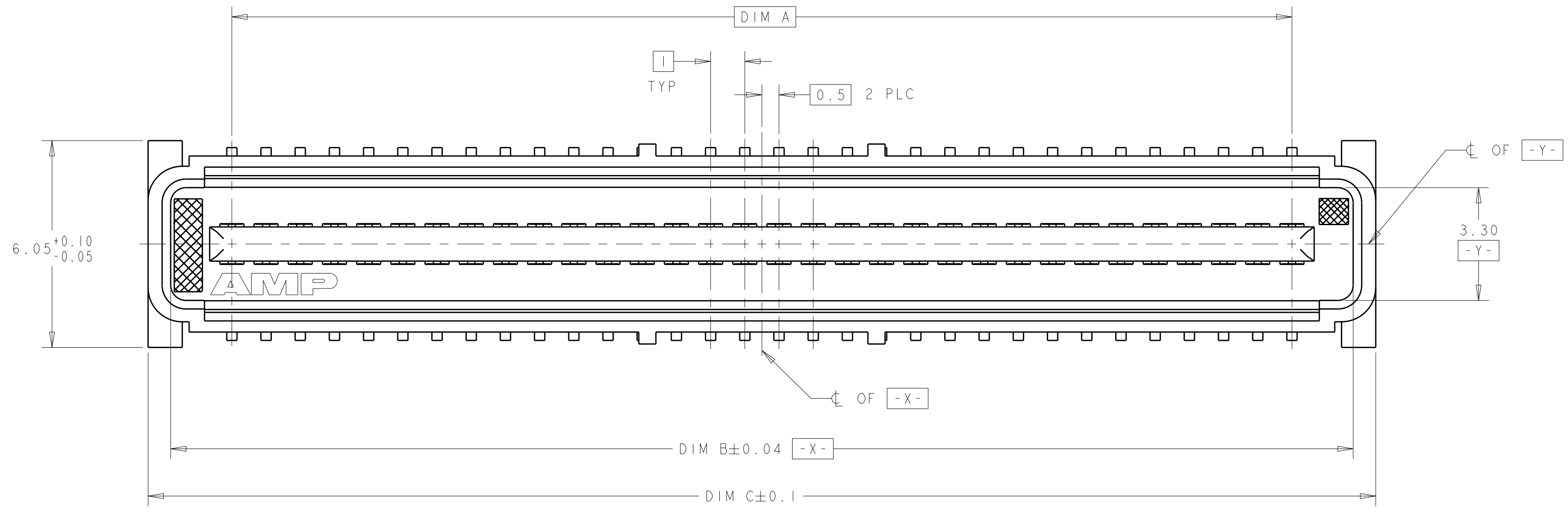
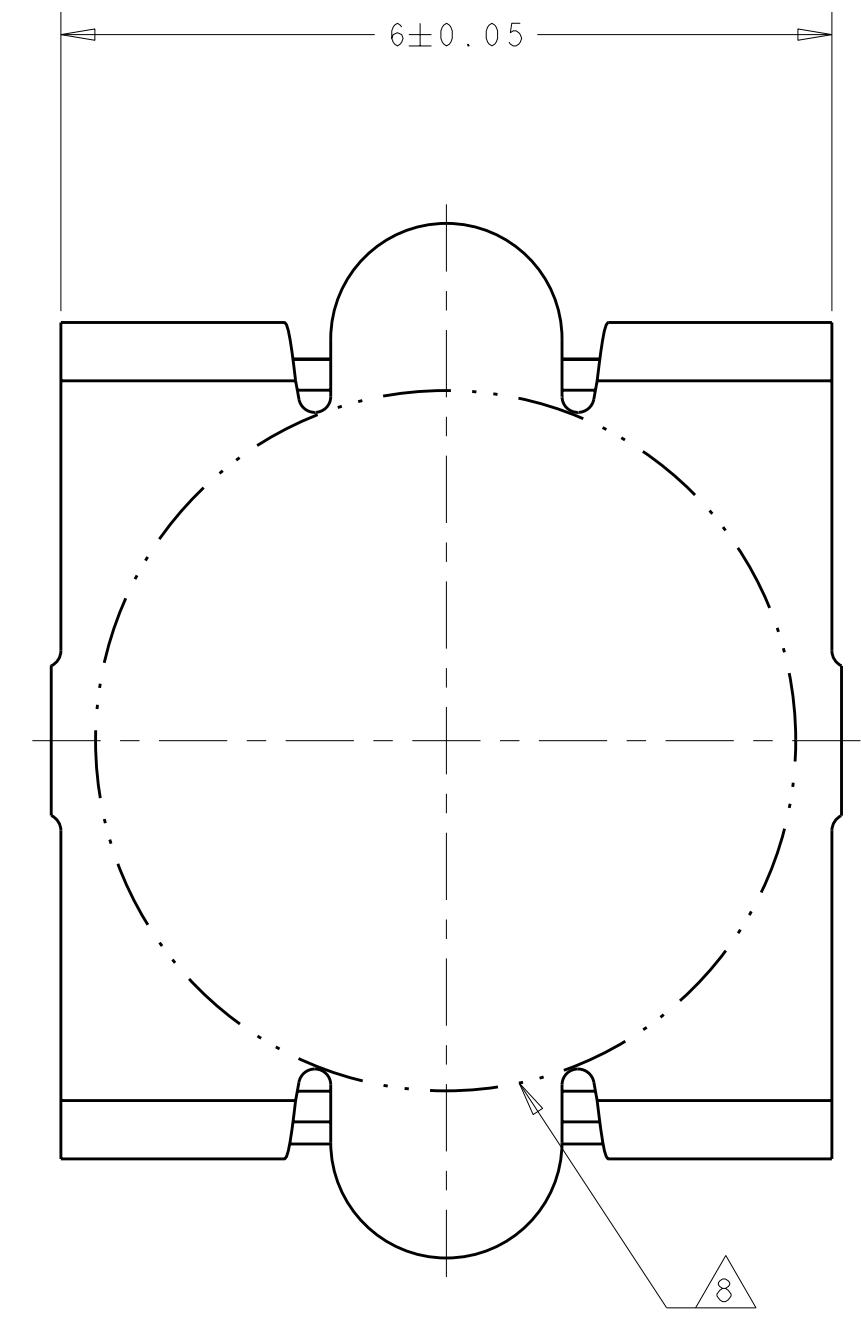
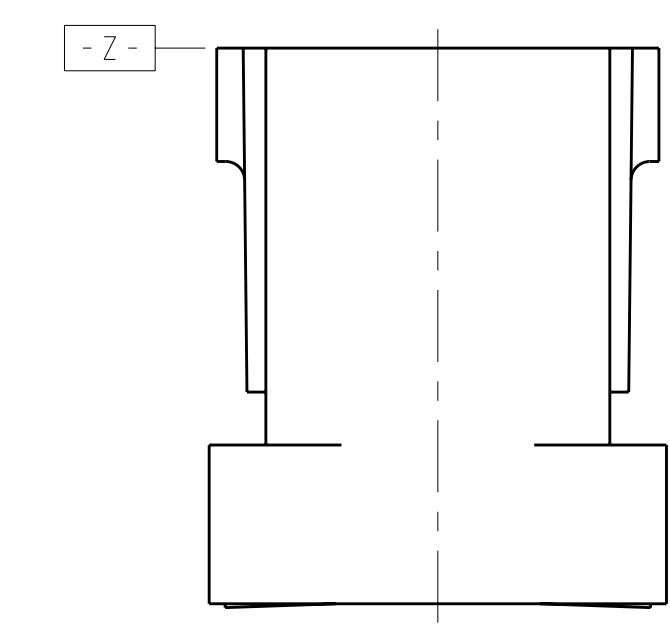
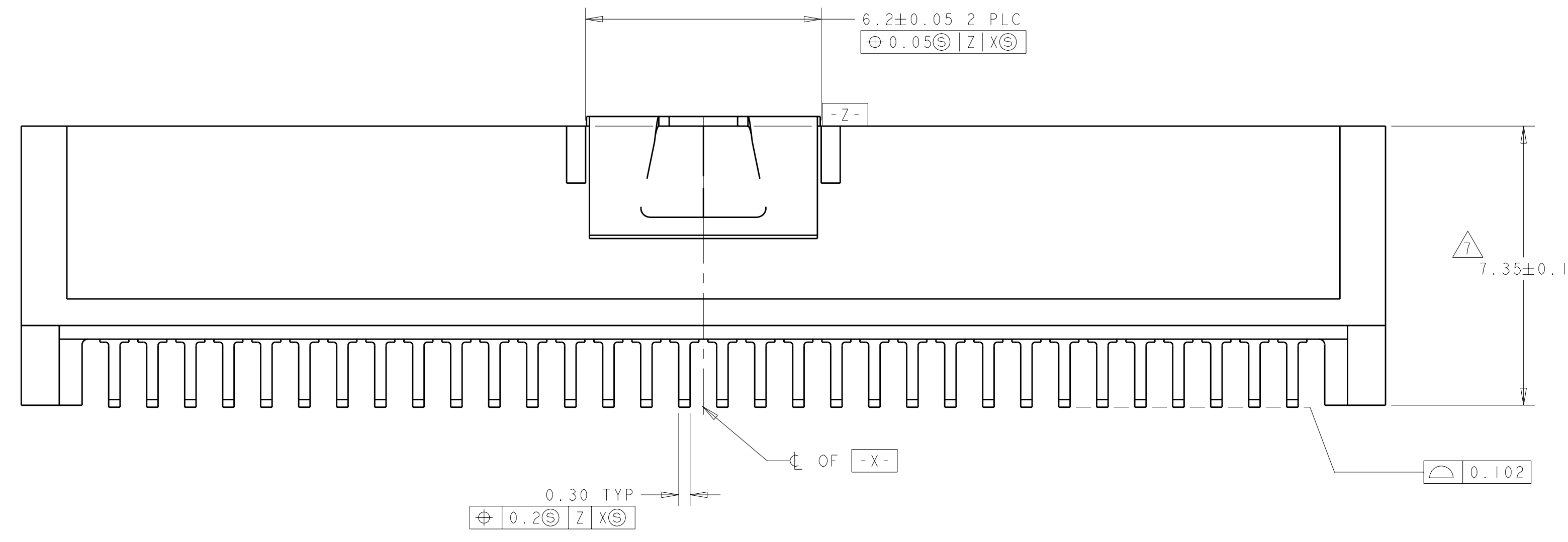


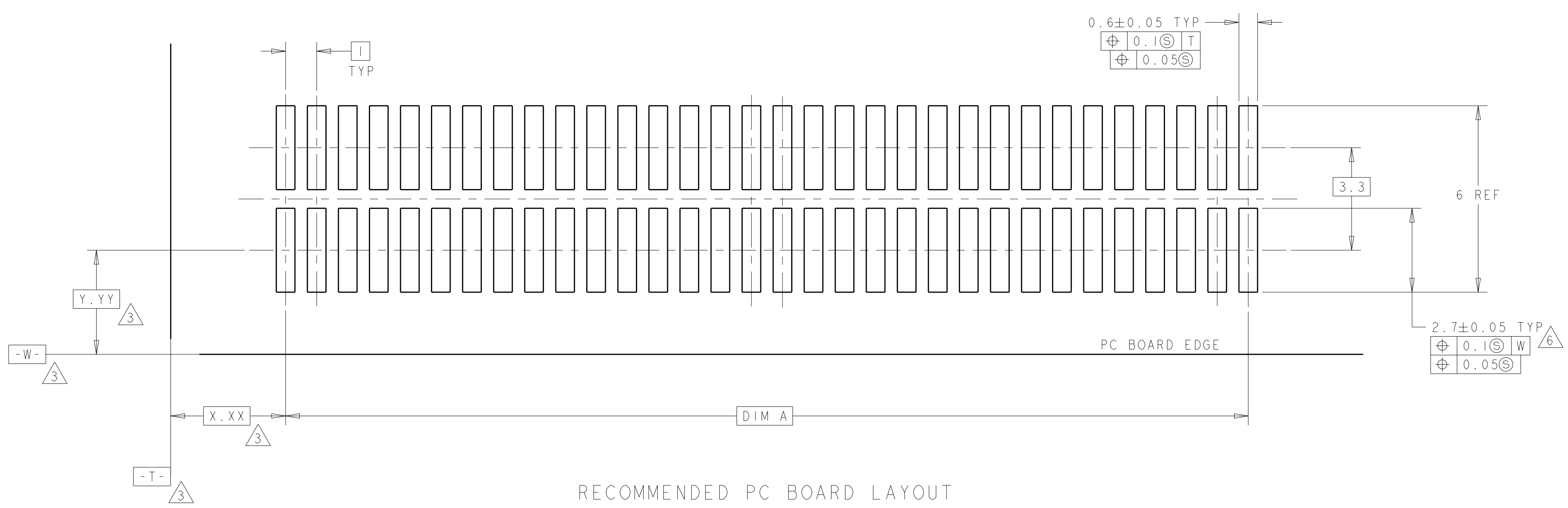
| LOC | DIST | REV | DATE | BY | CHK | APP'D |
|-----|------|-----|-----------|----|-----|-------|
| AD | 00 | 0 | 30SEP2004 | BC | RW | |
| | | A | 10JUL2006 | DH | DB | |



- 1. HOUSING MATERIAL: LIQUID CRYSTAL POLYMER COLOR: BLACK. CONTACT MATERIAL: PHOSPHOR BRONZE.
- 2. CONTACT FINISH: NICKEL UNDERPLATE ALL OVER. MATING SURFACES PLATED TO MEET PLI PERFORMANCE REQUIREMENTS OF INDUSTRY SPECIFICATION EIA-700AAAB, SOLDER TAILS PLATED TIN.
- 3. DATUM LOCATIONS AND BASIC DIMENSIONS TO BE ESTABLISHED BY THE CUSTOMER. CONSULT AMP ENGINEERING WHEN PLACING MULTIPLE CONNECTORS ON A PC BOARD.
- 4. PACKAGED IN TAPE ON REEL PER EIA-481.
- 5. VACUUM COVER DESIGNED FOR 4mm DIA. NOZZLE. VACUUM COVER TO BE REMOVED AFTER SOLDERING. VACUUM COVER REMOVED FROM SOME VIEWS FOR DIMENSIONAL CLARITY.
- 6. SHORTER SOLDER LANDS MAY BE USED PER EIA 700AAAB, HOWEVER 2.7 LENGTH ASSURES OPTIMUM SOLDER FILLET REGARDLESS OF MANUFACTURER OF CONNECTOR.
- 7. REFERRED TO AS DIM N IN EIA 700AAAB SPECIFICATION.
- 8. 5.5 MIN DIAMETER TARGET AREA FOR VACUUM PICK-UP.
- 9. CONTACT FINISH: 0.00381 MINIMUM MATTE TIN PER ASTM B 545 ON SOLDER AREA, 0.00127 MINIMUM GOLD PER ASTM B 488 ON MATING AREA, BOTH OVER 0.00127 MINIMUM NICKEL PER SAE-AMS-QQ-N-290 ON ENTIRE CONTACT.



VACUUM COVER



| FINISH | DIM C | DIM B | DIM A | MATING CONNECTOR | STACK HGTS | POS | PART NO |
|--------|-------|-------|-------|------------------|------------|-----|-------------|
| 9 | 45.9 | 44.58 | 41 | 5120531-2 | 14 | 84 | 1-5120533-2 |
| 9 | 45.9 | 44.58 | 41 | 5120529-2 | 11 | 84 | 1-5120533-2 |
| 9 | 45.9 | 44.58 | 41 | 5120528-2 | 9 | 84 | 1-5120533-2 |
| 9 | 35.9 | 34.58 | 31 | 5120531-1 | 14 | 64 | 1-5120533-1 |
| 9 | 35.9 | 34.58 | 31 | 5120529-1 | 11 | 64 | 1-5120533-1 |
| 9 | 35.9 | 34.58 | 31 | 5120528-1 | 9 | 64 | 1-5120533-1 |
| 2 | 45.9 | 44.58 | 41 | 5120531-2 | 14 | 84 | 5120533-2 |
| 2 | 45.9 | 44.58 | 41 | 5120529-2 | 11 | 84 | 5120533-2 |
| 2 | 45.9 | 44.58 | 41 | 5120528-2 | 9 | 84 | 5120533-2 |
| 2 | 35.9 | 34.58 | 31 | 5120531-1 | 14 | 64 | 5120533-1 |
| 2 | 35.9 | 34.58 | 31 | 5120529-1 | 11 | 64 | 5120533-1 |
| 2 | 35.9 | 34.58 | 31 | 5120528-1 | 9 | 64 | 5120533-1 |

| | | | | | | | |
|--|--|---|--|---|--|---|--|
| DIMENSIONS: mm TOLERANCES UNLESS OTHERWISE SPECIFIED: 9 PLC ± 5 PLC ±0.03 4 PLC ±0.003 ANGLES ±°30' FINISH SEE TABLE | | DWN BY: CABBO CHK: R. WERTZ APP'D: R. WERTZ PRODUCT SPEC: 502-1079 APPLICATION SPEC: 114-25045 WEIGHT: - CUSTOMER DRAWING | | 30SEP04 30SEP04 30SEP04 NAME: R. WERTZ SIZE: A SCALE: 17:1 | | Tyco Electronics Harrisburg, PA 17105-3608 PLUG ASSY, W/COVER 1.0mm FH(IEEE) CONNECTOR CAGE CODE: 00779 DRAWING NO: 5120533 SHEET 1 OF 1 REV A | |
|--|--|---|--|---|--|---|--|